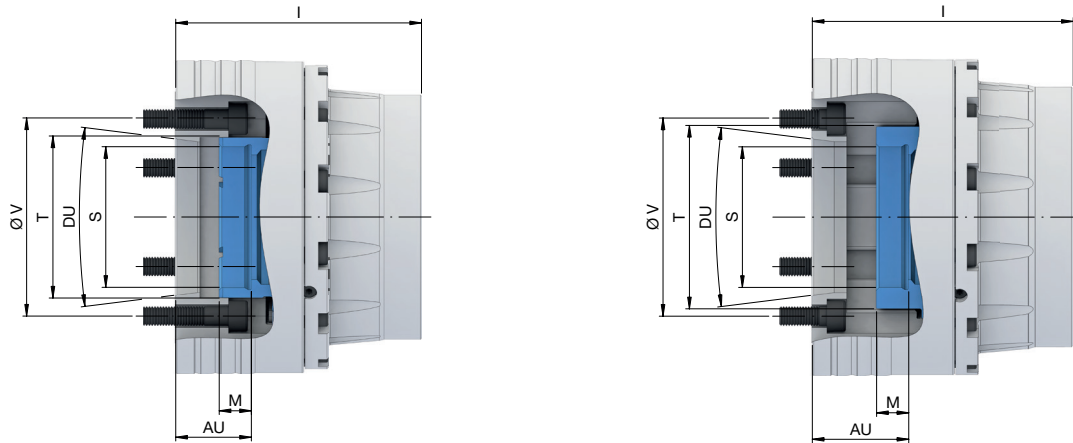


# SPINDLE CONNECTION DATA

## TOPlus mini chuck

### TOPlus mini pull-back size 26. Technical data



Size	26			
Variant	Pull-back			
Spindle nose	DU	KK4	KK5	
Total length [mm]	I	102		125
Depth of thread [mm]	M	15		
Connecting thread inside	S	M54 x 1,5	M72 x 1,5	
Position in clamped position [mm]	AU	34		57
Bolt hole circle	V	LK Ø 82,6 [6 x M10]		LK Ø 104,8 [6 x M10]
Material		10000752	10000753	10000754

Size	26				
Variant	Deadlength				
Spindle nose	DU	KK4	KK5		
Total length [mm]	I	99	110	101	130
Depth of thread [mm]	M	15			
Connecting thread inside	S	M58 x 1,5			
Position in clamped position [mm]	AU	30	41	32	61
Bolt hole circle	V	LK Ø 82,6 [6 x M10]		LK Ø 104,8 [6 x M10]	
Material		10000797	10000798	10000799	10000801

Size	40					
Variant	Pull-back					
Spindle nose	DU	KK4	KK5	KK6		
Total length [mm]	I	125	117	125	124	142
Depth of thread [mm]	M	15				
Connecting thread inside	S	M72 x 1,5			M84 x 1,5	
Position in clamped position [mm]	AU	40	32	40	38	56
Bolt hole circle	V	LK Ø 82,6 [6 x M10]	LK Ø 104,8 [6 x M10]		LK Ø 133,4 [6 x M12]	
Material		10000755	10000756	10000757	10000758	10000759

Size	40		
Variant	Pull-back		
Spindle nose	DU	AP120	AP140
Total length [mm]	I	106	118
Depth of thread [mm]	M	15	
Connecting thread inside	S	M72 x 1,5	
Position in clamped position [mm]	AU	21	21
Bolt hole circle	V	LK Ø 104,8 [6 x M10]	
Material		10000761	10000762

## SPINDLE CONNECTION DATA

### TOPlus mini chuck

Size		40					
Variant		Deadlength					
Spindle nose	DU	KK4		KK5		KK6	
Total length [mm]	I	123	115	123	140	122	139
Depth of thread [mm]	M	15					
Connecting thread inside	S	M72 x 1,5			M62 x 1,5		
Connecting thread outside	T	M72 x 1,5					
Position in clamped position [mm]	AU	40,2	32,2	40,2	57,2	39,1	56,1
Bolt hole circle	V	LK Ø 82,6 [6 x M10]		LK Ø 104,8 [6 x M10]		LK Ø 133,4 [6 x M12]	
Material		10000802	10000803	10000804	10000805	10000806	10000807

Size		52						
Variant		Pull-back						
Spindle nose	DU	KK5		KK6		KK8		
Total length [mm]	I	122	145	122	145	120	145	
Depth of thread [mm]	M	15						
Connecting thread inside	S	M72 x 1,5			M90 x 1,5		M72 x 1,5	
Connecting thread outside	T	M82 x 1,5						
Position in clamped position [mm]	AU	37	60	37	60	35	60	
Bolt hole circle	V	LK Ø 104,8 [6 x M10]		LK Ø 133,4 [6 x M12]		LK Ø 171,4 [6 x M16]		
Material		10000764	10000765	10000766	10000767	10000784	10000785	

Size		52					
Variant		Pull-back					
Spindle nose	DU	AP110		AP120		AP140	
Total length [mm]	I	120	105	115	105	115	115
Depth of thread [mm]	M	15					
Connecting thread inside	S	M72 x 1,5			M62 x 1,5		
Connecting thread outside	T	M72 x 1,5					
Position in clamped position [mm]	AU	35	20	30	20	30	30
Bolt hole circle	V	LK Ø 95 [6 x M8]		LK Ø 104,8 [6 x M10]			
Material		10000782	10000768	10000769	10000770	10000771	10000771

Size		52					
Variant		Deadlength					
Spindle nose	DU	KK5		KK6		KK8	
Total length [mm]	I	122	147	122	147	120	120
Depth of thread [mm]	M	15					
Connecting thread inside	S	M72 x 1,5					
Connecting thread outside	T	M82 x 1,5					
Position in clamped position [mm]	AU	38	63	38	63	36	36
Bolt hole circle	V	LK Ø 104,8 [6 x M10]		LK Ø 133,4 [6 x M12]		LK Ø 171,4 [6 x M16]	
Material		10000811	10000812	10000813	10000814	10000834	10000834

Size		52						
Variant		Deadlength						
Spindle nose	DU	AP110		AP120		AP140		
Total length [mm]	I	100	115	105	115	107	107	
Depth of thread [mm]	M	15						
Connecting thread inside	S	M68 x 1,5			M72 x 1,5		M62 x 1,5	
Connecting thread outside	T	M72 x 1,5						
Position in clamped position [mm]	AU	19	34	21	31	23	23	
Bolt hole circle	V	LK Ø 95 [6 x M8]		LK Ø 104,8 [6 x M10]				
Material		10000831	10000833	10000815	10000816	10000817	10000817	

Size		65							
Variant		Pull-back							
Spindle nose	DU	KK5		KK6		KK8			
Total length [mm]	I	124	130	150	126	130	155	130	155
Depth of thread [mm]	M	17							
Connecting thread inside	S	M76 x 1,5			M102 x 1,5				
Position in clamped position [mm]	AU	34	40	60	36	40	65	40	65
Bolt hole circle	V	LK Ø 104,8 [6 x M10]			LK Ø 133,4 [6 x M12]			LK Ø 171,4 [6 x M16]	
Material		10000787	10000740	10000741	10000742	10000743	10000744	10000745	10000746

# SPINDLE CONNECTION DATA

## TOPlus mini chuck

Size	65						
Variant	Pull-back						
Spindle nose	DU	AP120		AP140		AP170	
Total length [mm]	I	111	120	111	120	115	
Depth of thread [mm]	M	17					
Connecting thread inside	S	M76 x 1,5		M80 x 1,5		M102 x 1,5	
Position in clamped position [mm]	AU	21	30	21	30	25	
Bolt hole circle	V	LK Ø 104,8 [6 x M10]					LK Ø 133,4 [6 x M12]
Material		10000749	10000750	10000747	10000748	10000751	

Size	65							
Variant	Deadlength							
Spindle nose	DU	KK5		KK6	KK8		KK8	
Total length [mm]	I	128	138	124	138	163	133	163
Depth of thread [mm]	M	17						
Connecting thread inside	S	M76 x 1,5			M94 x 1,5			
Position in clamped position [mm]	AU	41	51	36	50	75	45	75
Bolt hole circle	V	LK Ø 104,8 [6 x M10]	LK Ø 104,6 [6 x M10]	LK Ø 133,4 [6 x M12]			LK Ø 171,4 [6 x M16]	
Material		10000788	10000789	10000790	10000791	10000792	10000793	10000794

Size	65					
Variant	Deadlength					
Spindle nose	DU	AP120	AP140	AP170		
Total length [mm]	I	129	138	110	128	
Depth of thread [mm]	M	17				
Connecting thread inside	S	M94 x 1,5				
Position in clamped position [mm]	AU	41	50	22	40	
Bolt hole circle	V	LK Ø 104,8 [6 x M10]			LK Ø 133,4 [6 x M12]	
Material		10000840	10000795	10000836	10000796	

Size	100							
Variant	Pull-back							
Spindle nose	DU	KK5	KK6		KK8		KK11	
Total length [mm]	I	160	164	170	162	180	195	
Depth of thread [mm]	M	20						
Connecting thread inside	S	M130 x 1,5					M150 x 1,5	
Position in clamped position [mm]	AU	44	48	54	46	64	56	71
Bolt hole circle	V	LK Ø 104,8 [6 x M10]	LK Ø 133,4 [6 x M12]			LK Ø 171,4 [6 x M16]		LK Ø 235 [6 x M20]
Material		10000772	10000773	10000774	10000775	10000776	10000777	10000778

Size	100		
Variant	Pull-back		
Spindle nose	DU	AP170	AP220
Total length [mm]	I	164	150
Depth of thread [mm]	M	20	
Connecting thread inside	S	M130 x 1,5	
Position in clamped position [mm]	AU	48	34
Bolt hole circle	V	LK Ø 133,4 [6 x M12]	LK Ø 171,4 [6 x M16]
Material		10000779	10000780

Size	100							
Variant	Deadlength							
Spindle nose	DU	KK5	KK6		KK8		KK11	
Total length [mm]	I	171	175	182	169	192	185	200
Depth of thread [mm]	M	20						
Connecting thread inside	S	M130 x 1,5						
Position in clamped position [mm]	AU	46	50	57	44	67	60	75
Bolt hole circle	V	LK Ø 104,8 [6 x M10]	LK Ø 133,4 [6 x M12]			LK Ø 171,4 [6 x M16]		LK Ø 235 [6 x M20]
Material		10000818	10000819	10000820	10000821	10000822	10000823	10000824

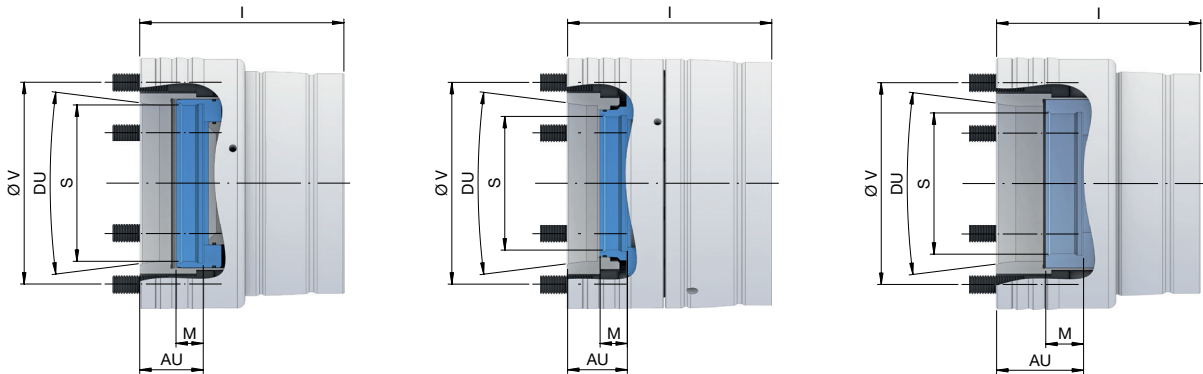
SPINDLE CONNECTION DATA  
**TOPlus mini chuck**

<b>Size</b>		<b>100</b>		
<b>Variant</b>		<b>Deadlength</b>		
Spindle nose	DU	AP140	AP170	AP220
Total length [mm]	I	171	175	162
Depth of thread [mm]	M	20		
Connecting thread inside	S	M130 x 1,5		
Position in clamped position [mm]	AU	46	50	37
Bolt hole circle	V	LK Ø 104,8 [6 x M10]	LK Ø 133,4 [6 x M12]	LK Ø 171,4 [6 x M16]
Material		10000828	10000825	10000826

# SPINDLE CONNECTION DATA

## TOPlus chuck

### TOPlus mini pull-back size 26. Technical data



Size	52				
Variant	Combi pull-back				
Spindle nose	DU	KK5	KK6	AP120	AP140
Total length [mm]	I	122		115	
Depth of thread [mm]	M	17	16	17	
Connecting thread inside	S	M72 x 1,5	M85 x 1,5	M72 x 1,5	
Position in clamped position [mm]	AU	35,5		28,5	
Bolt hole circle	V	LK Ø 104,8 [6 x M10]	LK Ø 133,4 [6 x M12]	LK Ø 104,8 [6 x M10]	
Material		10001926	10001927	10001928	10001929

Size	52				
Variant	Combi deadlength				
Spindle nose	DU	KK5	KK6	AP120	AP140
Total length [mm]	I	120		110	
Depth of thread [mm]	M	15,5			
Connecting thread inside	S	M76 x 1,5			
Position in clamped position [mm]	AU	34		24	
Bolt hole circle	V	LK Ø 104,8 [6 x M10]	LK Ø 133,4 [6 x M12]	LK Ø 104,8 [6 x M10]	
Material		10001945	10001946	10001947	10001948

Size	52				
Variant	Modular				
Spindle nose	DU	KK5	KK6	AP120	AP140
Total length [mm]	I	112		105	
Depth of thread [mm]	M	16			
Connecting thread inside	S	M78 x 1,5			
Position in clamped position [mm]	AU	44,5		37,5	
Bolt hole circle	V	LK Ø 104,8 [6 x M10]	LK Ø 133,4 [6 x M12]	LK Ø 104,8 [6 x M10]	
Material		10001913	10001914	10001915	10001916

Size	65						
Variant	Combi pull-back						
Spindle nose	DU	KK5	KK6	KK8	AP120	AP140	AP170
Total length [mm]	I	131	130	131	120		115
Depth of thread [mm]	M	18					
Connecting thread inside	S	M72 x 1,5	M105 x 1,5		M72 x 1,5		M105 x 1,5
Position in clamped position [mm]	AU	34	37	38	23		22
Bolt hole circle	V	LK Ø 104,8 [6 x M10]	LK Ø 133,4 [6 x M12]	LK Ø 171,4 [6 x M16]	LK Ø 104,8 [6 x M10]		LK Ø 133,4 [6 x M12]
Material		10001920	10001921	10001922	10001923	10001924	10001925

## SPINDLE CONNECTION DATA

### TOPlus chuck

Size		65				
Variant		Combi deadlength				
Spindle nose	DU	KK5	KK6	KK8	AP140	AP170
Total length [mm]	I	135			125	
Depth of thread [mm]	M	18				
Connecting thread inside	S	M90 x 1,5				
Position in clamped position [mm]	AU	39,5			29,5	
Bolt hole circle	V	LK Ø 104,8 [6 x M10]	LK Ø 133,4 [6 x M12]	LK Ø 171,4 [6 x M16]	LK Ø 104,8 [6 x M10]	LK Ø 133,4 [6 x M12]
Material		10001936	10001937	10001938	10001939	10001940

Size		65					
Variant		Modular					
Spindle nose	DU	KK5	KK6	KK8	AP120	AP140	AP170
Total length [mm]	I	121	120	121	110		105
Depth of thread [mm]	M	18	25	18			
Connecting thread inside	S	M78 x 1,5	M95 x 1,5	M78 x 1,5			
Position in clamped position [mm]	AU	49,5	42,5	49,5	38,5		33,5
Bolt hole circle	V	LK Ø 104,8 [6 x M10]	LK Ø 133,4 [6 x M12]	LK Ø 171,4 [6 x M16]	LK Ø 104,8 [6 x M10]		LK Ø 133,4 [6 x M12]
Material		10001907	10001908	10001909	10001910	10001911	10001912

Size		100				
Variant		Combi pull-back				
Spindle nose	DU	KK6	KK8	KK11	AP170	AP220
Total length [mm]	I	155	159	165	159	
Depth of thread [mm]	M	18				
Connecting thread inside	S	M135 x 1,5				
Position in clamped position [mm]	AU	44,5	48,5	54,5	48,5	
Bolt hole circle	V	LK Ø 133,4 [6 x M12]	LK Ø 171,4 [6 x M16]	LK Ø 235 [6 x M20]	LK Ø 133,4 [6 x M12]	LK Ø 171,4 [6 x M16]
Material		10001930	10001931	10001935	10001932	10001933

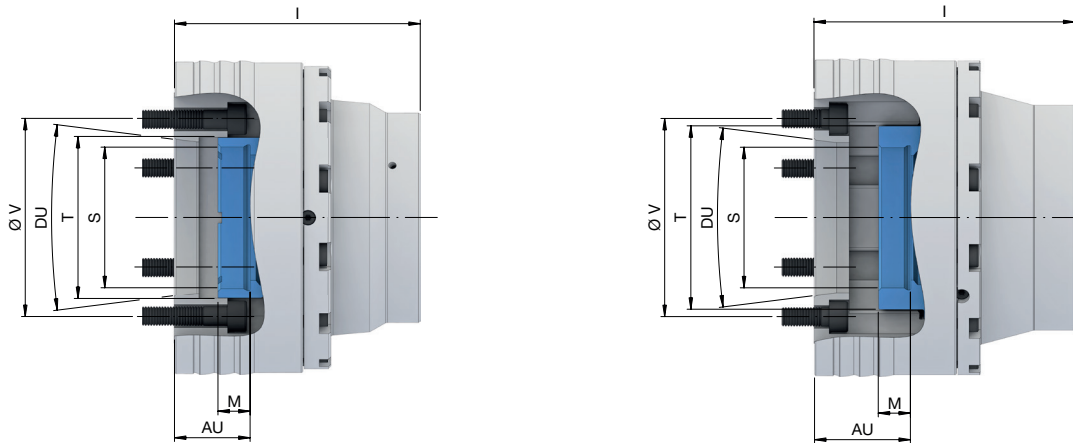
Size		100			
Variant		Combi deadlength			
Spindle nose	DU	KK6	KK8	AP170	AP220
Total length [mm]	I	175		180	170
Depth of thread [mm]	M	21	22,5		
Connecting thread inside	S	M92 x 1,5	M125 x 1,5		
Position in clamped position [mm]	AU	47,5	46,5	51,5	41,5
Bolt hole circle	V	LK Ø 133,4 [6 x M12]	LK Ø 171,4 [6 x M16]	LK Ø 133,4 [6 x M12]	LK Ø 171,4 [6 x M16]
Material		10001941	10001942	10001943	10001944

Size		100		
Variant		Modular		
Spindle nose	DU	KK8	AP170	AP220
Total length [mm]	I	149		
Depth of thread [mm]	M	30		
Connecting thread inside	S	M150 x 1,5		
Position in clamped position [mm]	AU	60	66	60
Bolt hole circle	V	LK Ø 171,4 [6 x M16]	LK Ø 133,4 [6 x M12]	LK Ø 171,4 [6 x M16]
Material		10001917	10001918	10001919

# SPINDLE CONNECTION DATA

## SPANNTOP mini chuck

### TOPlus mini pull-back size 26. Technical data



Size	32			
Variant	Pull-back			
Spindle nose	DU	KK4	KK5	KK6
Total length [mm]	I	117		140
Depth of thread [mm]	M	15		
Connecting thread inside	S	M54 x 1,5		M72 x 1,5
Position in clamped position [mm]	AU	34		57
Bolt hole circle	V	LK Ø 82,6 [6 x M10]		LK Ø 104,8 [6 x M10]
Material		10000850	10000851	10000852

Size	32					
Variant	Deadlength					
Spindle nose	DU	KK4		KK5		KK6
Total length [mm]	I	112	122	114	122	142
Depth of thread [mm]	M	15				
Connecting thread inside	S	M58 x 1,5				
Position in clamped position [mm]	AU	31,5	41,5	33,5	41,5	61,5
Bolt hole circle	V	LK Ø 82,6 [6 x M10]		LK Ø 104,8 [6 x M10]		LK Ø 133,4 [6 x M12]
Material		10000910	10000911	10000912	10000913	10000914

Size	32	
Variant	Deadlength	
Spindle nose	DU	AP140
Total length [mm]	I	101
Depth of thread [mm]	M	15
Connecting thread inside	S	M58 x 1,5
Position in clamped position [mm]	AU	20,5
Bolt hole circle	V	LK Ø 104,8 [6 x M10]
Material		10000968

Size	42					
Variant	Pull-back					
Spindle nose	DU	KK4		KK5		KK6
Total length [mm]	I	122	114	122	140	122
Depth of thread [mm]	M	15				
Connecting thread inside	S	M72 x 1,5			M84 x 1,5	
Position in clamped position [mm]	AU	40	32	40	58	38
Bolt hole circle	V	LK Ø 82,6 [6 x M10]		LK Ø 104,8 [6 x M10]		LK Ø 133,4 [6 x M12]
Material		10000853	10000854	10000855	10000856	10000857

## SPINDLE CONNECTION DATA

### SPANNTOP mini chuck

Size		42					
Variant		Pull-back					
Spindle nose		AP120		AP140		AP170	
Total length [mm]	I	102	115	102	115	102	
Depth of thread [mm]	M	15					
Connecting thread inside	S	M72 x 1,5		M62 x 1,5		M76 x 1,5	
Connecting thread outside	T			M72 x 1,5		M62 x 1,5	
Position in clamped position [mm]	AU	20	33	20	33	20	
Bolt hole circle	V	LK Ø 104,8 [6 x M10]				LK Ø 133,4 [6 x M12]	
Material		10000859	10000860	10000861	10000862	10000901	

Size		42					
Variant		Deadlength					
Spindle nose		KK4		KK5		KK6	
Total length [mm]	I	123	118	125	142	124	142
Depth of thread [mm]	M	15					
Connecting thread inside	S	M72 x 1,5				M62 x 1,5	
Connecting thread outside	T					M72 x 1,5	
Position in clamped position [mm]	AU	38	33	40	57	39	57
Bolt hole circle	V	LK Ø 82,6 [6 x M10]	LK Ø 104,8 [6 x M10]			LK Ø 133,4 [6 x M12]	
Material		10000951	10000915	10000916	10000917	10000918	10000919

Size		42					
Variant		Deadlength					
Spindle nose		AP110		AP120		AP140	
Total length [mm]	I			105		117	
Depth of thread [mm]	M	15					
Connecting thread inside	S	M72 x 1,5		M62 x 1,5			
Connecting thread outside	T					M72 x 1,5	
Position in clamped position [mm]	AU	20				32	
Bolt hole circle	V	LK Ø 95 [6 x M8]		LK Ø 104,8 [6 x M10]			
Material		10000952		10000966		10000920	

Size		52					
Variant		Pull-back					
Spindle nose		KK5		KK6		KK8	
Total length [mm]	I	122	145	122	145	120	145
Depth of thread [mm]	M	15					
Connecting thread inside	S	M72 x 1,5		M90 x 1,5		M72 x 1,5	
Connecting thread outside	T					M82 x 1,5	
Position in clamped position [mm]	AU	37	60	37	60	35	60
Bolt hole circle	V	LK Ø 104,8 [6 x M10]		LK Ø 133,4 [6 x M12]		LK Ø 171,4 [6 x M16]	
Material		10000864	10000865	10000866	10000867	10000894	10000895

Size		52					
Variant		Pull-back					
Spindle nose		AP110		AP120		AP140	
Total length [mm]	I	120	105	115	105	115	
Depth of thread [mm]	M	15					
Connecting thread inside	S	M72 x 1,5				M62 x 1,5	
Connecting thread outside	T					M72 x 1,5	
Position in clamped position [mm]	AU	35	20	30	20	30	
Bolt hole circle	V	LK Ø 95 [6 x M8]		LK Ø 104,8 [6 x M10]			
Material		10000891	10000887	10000888	10000889	10000890	

Size		52					
Variant		Deadlength					
Spindle nose		KK4		KK5		KK6	
Total length [mm]	I	122		147		122	
Depth of thread [mm]	M	15					
Connecting thread inside	S	M72 x 1,5					
Connecting thread outside	T					M82 x 1,5	
Position in clamped position [mm]	AU	38	63		38	63	36
Bolt hole circle	V	LK Ø 82,6 [6 x M10]	LK Ø 104,8 [6 x M10]		LK Ø 133,4 [6 x M12]		LK Ø 171,4 [6 x M16]
Material		10000922	10000923	10000924	10000925	10000926	10000950



# SPINDLE CONNECTION DATA

## SPANNTOP mini chuck

Size	52					
Variant	Deadlength					
Spindle nose	DU	AP110		AP120		AP140
Total length [mm]	I	100	115	105	115	107
Depth of thread [mm]	M	15				
Connecting thread inside	S	M68 x 1,5		M72 x 1,5		M62 x 1,5
Connecting thread outside	T	M72 x 1,5				
Position in clamped position [mm]	AU	19	34	21	31	23
Bolt hole circle	V	LK Ø 95 [6 x M8]		LK Ø 104,8 [6 x M10]		
Material		10000944	10000953	10000927	10000928	10000929

Size	65								
Variant	Pull-back								
Spindle nose	DU	KK5		KK6		KK8			
Total length [mm]	I	124	130	150	126	130	155	130	155
Depth of thread [mm]	M	17							
Connecting thread inside	S	M76 x 1,5			M102 x 1,5				
Position in clamped position [mm]	AU	34	40	60	36	40	65	40	65
Bolt hole circle	V	LK Ø 104,8 [6 x M10]			LK Ø 133,4 [6 x M12]			LK Ø 171,4 [6 x M16]	
Material		10000898	10000841	10000842	10000843	10000844	10000845	10000846	10000847

Size	65						
Variant	Pull-back						
Spindle nose	DU	AP120		AP140		AP170	AP220
Total length [mm]	I	111	120	111	120	115	112
Depth of thread [mm]	M	17					
Connecting thread inside	S	M76 x 1,5		M80 x 1,5		M102 x 1,5	
Position in clamped position [mm]	AU	21	30	21	30	25	22
Bolt hole circle	V	LK Ø 104,8 [6 x M10]				LK Ø 133,4 [6 x M12]	LK Ø 171,4 [6 x M16]
Material		10000868	10000869	10000848	10000849	10000870	10000896

Size	65								
Variant	Deadlength								
Spindle nose	DU	KK4	KK5	KK6		KK8			
Total length [mm]	I	128	138	124	138	163	133	163	
Depth of thread [mm]	M	17							
Connecting thread inside	S	M76 x 1,5			M94 x 1,5				
Position in clamped position [mm]	AU	41	51	36	50	75	45	75	
Bolt hole circle	V	LK Ø 82,6 [6 x M10]	LK Ø 104,8 [6 x M10]	LK Ø 133,4 [6 x M12]			LK Ø 171,4 [6 x M16]		
Material		10000965	10000902	10000903	10000904	10000905	10000906	10000907	10000908

Size	65						
Variant	Deadlength						
Spindle nose	DU	AP110	AP120	AP140	AP170	AP220	
Total length [mm]	I	125	129	138	110	128	111
Depth of thread [mm]	M	17					
Connecting thread inside	S	M94 x 1,5					
Position in clamped position [mm]	AU	37	41	50	22	40	23
Bolt hole circle	V	LK Ø 95 [6 x M8]	LK Ø 104,8 [6 x M10]		LK Ø 133,4 [6 x M12]		LK Ø 171,4 [6 x M16]
Material		10000949	10000963	10000909	10000954	10000930	10000964

Size	80							
Variant	Pull-back							
Spindle nose	DU	KK5	KK6		KK8			
Total length [mm]	I	132	128	135	155	132	150	180
Depth of thread [mm]	M	18						
Connecting thread inside	S	M102 x 1,5					M125 x 1,5	
Position in clamped position [mm]	AU	41	37	44	64	40	58	88
Bolt hole circle	V	LK Ø 104,8 [6 x M10]	LK Ø 133,4 [6 x M12]			LK Ø 171,4 [6 x M16]		
Material		10000892	10000871	10000872	10000873	10000874	10000875	10000876

## SPINDLE CONNECTION DATA

### SPANNTOP mini chuck

Size		<b>80</b>	
Variant		<b>Pull-back</b>	
Spindle nose	DU	AP140	AP170
Total length [mm]	I	132	115
Depth of thread [mm]	M	18	
Connecting thread inside	S	M102 x 1,5	
Position in clamped position [mm]	AU	41	
Bolt hole circle	V	LK Ø 104,8 [6 x M10]	LK Ø 133,4 [6 x M12]
Material		10000900	10000877

Size		<b>80</b>					
Variant		<b>Deadlength</b>					
Spindle nose	DU	KK5	KK6	KK8	KK8	KK8	KK8
Total length [mm]	I	136	130	137	157	132	182
Depth of thread [mm]	M	18					
Connecting thread inside	S	M102 x 1,5					
Position in clamped position [mm]	AU	43,5	37,5	44,5	64,5	39,5	89,5
Bolt hole circle	V	LK Ø 104,8 [6 x M10]	LK Ø 133,4 [6 x M12]			LK Ø 171,4 [6 x M16]	
Material		10000945	10000931	10000932	10000933	10000934	10000936

Size		<b>80</b>	
Variant		<b>Deadlength</b>	
Spindle nose	DU	AP140	AP170
Total length [mm]	I	134	115
Depth of thread [mm]	M	18	
Connecting thread inside	S	M102 x 1,5	
Position in clamped position [mm]	AU	41,5	
Bolt hole circle	V	LK Ø 104,8 [6 x M10]	LK Ø 133,4 [6 x M12]
Material		10000937	10000946

Size		<b>100</b>					
Variant		<b>Pull-back</b>					
Spindle nose	DU	KK5	KK6	KK8	KK8	KK11	KK11
Total length [mm]	I	160	164	170	162	180	195
Depth of thread [mm]	M	20					
Connecting thread inside	S	M130 x 1,5			M150 x 1,5		
Position in clamped position [mm]	AU	44	48	54	46	64	71
Bolt hole circle	V	LK Ø 104,8 [6 x M10]	LK Ø 133,4 [6 x M12]		LK Ø 171,4 [6 x M16]		LK Ø 235 [4 x M20]
Material		10000893	10000879	10000880	10000881	10000882	10000883

Size		<b>100</b>		
Variant		<b>Pull-back</b>		
Spindle nose	DU	AP140	AP170	AP220
Total length [mm]	I	161	164	150
Depth of thread [mm]	M	20		
Connecting thread inside	S	M130 x 1,5		
Position in clamped position [mm]	AU	48		
Bolt hole circle	V	LK Ø 104,8 [6 x M10]	LK Ø 133,4 [6 x M12]	LK Ø 171,4 [6 x M16]
Material		10000899	10000885	10000886

Size		<b>100</b>					
Variant		<b>Deadlength</b>					
Spindle nose	DU	KK5	KK6	KK8	KK8	KK11	KK11
Total length [mm]	I	171	175	182	169	192	200
Depth of thread [mm]	M	20					
Connecting thread inside	S	M130 x 1,5					
Position in clamped position [mm]	AU	46	50	57	44	67	75
Bolt hole circle	V	LK Ø 104,8 [6 x M10]	LK Ø 133,4 [6 x M12]		LK Ø 171,4 [6 x M16]		LK Ø 235 [6 x M20]
Material		10000959	10000938	10000939	10000940	10000941	10000961

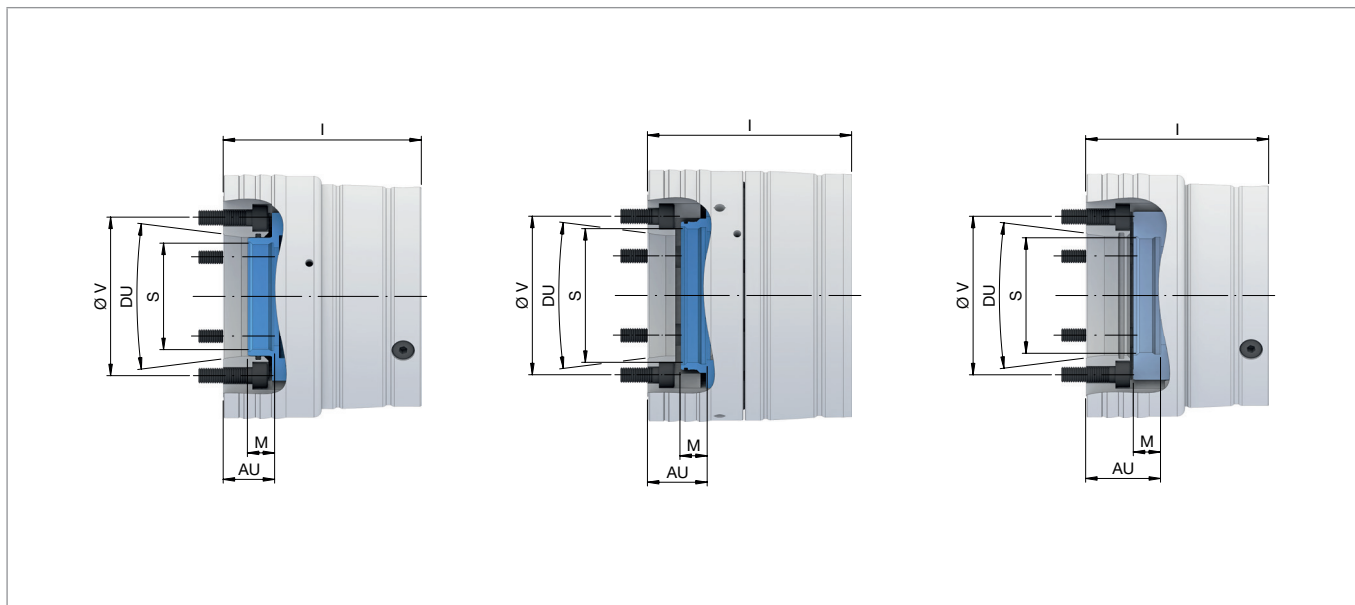
SPINDLE CONNECTION DATA  
**SPANNTOP mini chuck**

Size		100		
Variant		Deadlength		
Spindle nose	DU	AP140	AP170	AP220
Total length [mm]	I	171	175	162
Depth of thread [mm]	M	20		
Connecting thread inside	S	M130 x 1,5		
Position in clamped position [mm]	AU	46	50	37
Bolt hole circle	V	LK Ø 104,8 [6 x M10]	LK Ø 133,4 [6 x M12]	LK Ø 171,4 [6 x M16]
Material		10000962	10000942	10000943

# SPINDLE CONNECTION DATA

## SPANNTOP nova chuck

### TOPlus mini pull-back size 26. Technical data



Size	32		
Variant	Combi pull-back		
Spindle nose	DU	KK4	KK5
Total length [mm]	l	117	
Depth of thread [mm]	M	18	17
Connecting thread inside	S	M52 x 1,5	M70 x 1,5
Position in clamped position [mm]	AU	34,5	
Bolt hole circle	V	LK Ø 82,6 [6 x M10]	LK Ø 104,8 [6 x M10]
Material		10001768	10001769

Size	32		
Variant	Combi deadlength		
Spindle nose	DU	KK4	KK5
Total length [mm]	l	120	
Depth of thread [mm]	M	15	
Connecting thread inside	S	M52 x 1,5	
Position in clamped position [mm]	AU	34,5	
Bolt hole circle	V	LK Ø 82,6 [6 x M10]	LK Ø 104,8 [6 x M10]
Material		10001810	10001811

Size	32		
Variant	Modular		
Spindle nose	DU	KK4	KK5
Total length [mm]	l	107	
Depth of thread [mm]	M	18	
Connecting thread inside	S	M55 x 1,5	
Position in clamped position [mm]	AU	48	
Bolt hole circle	V	LK Ø 82,6 [3 x M10]	LK Ø 104,8 [6 x M10]
Material		10001739	10001740

Size	42					
Variant	Combi pull-back					
Spindle nose	DU	KK4	KK5	KK6	AP120	AP140
Total length [mm]	l	122		115		
Depth of thread [mm]	M	16	17	16	17	
Connecting thread inside	S	M52 x 1,5	M72 x 1,5	M85 x 1,5	M72 x 1,5	
Position in clamped position [mm]	AU	32,5	35,5		28,5	
Bolt hole circle	V	LK Ø 82,6 [6 x M10]	LK Ø 104,8 [6 x M10]	LK Ø 133,4 [6 x M12]	LK Ø 104,8 [6 x M10]	
Material		10001792	10001770	10001771	10001781	10001782

# SPINDLE CONNECTION DATA

## SPANNTOP nova chuck

Size	<b>42</b>			
Variant	<b>Combi deadlength</b>			
Spindle nose	DU	KK5	KK6	AP140
Total length [mm]	I	120		110
Depth of thread [mm]	M	15,5		
Connecting thread inside	S	M76 x 1,5		
Position in clamped position [mm]	AU	34		24
Bolt hole circle	V	LK Ø 104,8 [6 x M10]	LK Ø 133,4 [6 x M12]	LK Ø 104,8 [6 x M10]
Material		10001812	10001813	10001823

Size	<b>42</b>				
Variant	<b>Modular</b>				
Spindle nose	DU	KK5	KK6	AP120	AP140
Total length [mm]	I	112		105	
Depth of thread [mm]	M	18			
Connecting thread inside	S	M78 x 1,5			
Position in clamped position [mm]	AU	46,5		39,5	
Bolt hole circle	V	LK Ø 104,8 [6 x M10]	LK Ø 133,4 [6 x M12]	LK Ø 104,8 [6 x M10]	
Material		10001741	10001742	10001751	10001752

Size	<b>52</b>				
Variant	<b>Combi pull-back</b>				
Spindle nose	DU	KK5	KK6	AP120	AP140
Total length [mm]	I	122		115	
Depth of thread [mm]	M	17	16	17	
Connecting thread inside	S	M72 x 1,5	M85 x 1,5	M72 x 1,5	
Position in clamped position [mm]	AU	35,5		28,5	
Bolt hole circle	V	LK Ø 104,8 [6 x M10]	LK Ø 133,4 [6 x M12]	LK Ø 104,8 [6 x M10]	
Material		10001772	10001773	10001783	10001784

Size	<b>52</b>				
Variant	<b>Combi deadlength</b>				
Spindle nose	DU	KK5	KK6	AP120	AP140
Total length [mm]	I	120		110	
Depth of thread [mm]	M	15,5			
Connecting thread inside	S	M76 x 1,5			
Position in clamped position [mm]	AU	34		24	
Bolt hole circle	V	LK Ø 104,8 [6 x M10]	LK Ø 133,4 [6 x M12]	LK Ø 104,8 [6 x M10]	
Material		10001814	10001815	10001830	10001824

Size	<b>52</b>				
Variant	<b>Modular</b>				
Spindle nose	DU	KK5	KK6	AP120	AP140
Total length [mm]	I	112		105	
Depth of thread [mm]	M	16			
Connecting thread inside	S	M78 x 1,5			
Position in clamped position [mm]	AU	44,5		37,5	
Bolt hole circle	V	LK Ø 104,8 [6 x M10]	LK Ø 133,4 [6 x M12]	LK Ø 104,8 [6 x M10]	
Material		10001743	10001744	10001753	10001754

Size	<b>65</b>						
Variant	<b>Combi pull-back</b>						
Spindle nose	DU	KK5	KK6	KK8	AP120	AP140	AP170
Total length [mm]	I	131	130	131	120		115
Depth of thread [mm]	M	18					
Connecting thread inside	S	M72 x 1,5	M105 x 1,5		M72 x 1,5		M105 x 1,5
Position in clamped position [mm]	AU	34	37	38	23		22
Bolt hole circle	V	LK Ø 104,8 [6 x M10]	LK Ø 133,4 [6 x M12]	LK Ø 171,4 [6 x M16]	LK Ø 104,8 [6 x M10]		LK Ø 133,4 [6 x M12]
Material		10001774	10001775	10001776	10001785	10001786	10001787

SPINDLE CONNECTION DATA  
**SPANNTOP nova chuck**

Size		65				
Variant		Combi deadlength				
Spindle nose	DU	KK5	KK6	KK8	AP140	AP170
Total length [mm]	I	135			125	
Depth of thread [mm]	M	18				
Connecting thread inside	S	M90 x 1,5				
Position in clamped position [mm]	AU	39,5				29,5
Bolt hole circle	V	LK Ø 104,8 [6 x M10]	LK Ø 133,4 [6 x M12]	LK Ø 171,4 [6 x M16]	LK Ø 104,8 [6 x M10]	LK Ø 133,4 [6 x M12]
Material		10001816	10001817	10001818	10001825	10001826

Size		65					
Variant		Modular					
Spindle nose	DU	KK5	KK6	KK8	AP120	AP140	AP170
Total length [mm]	I	121	120	121	110		105
Depth of thread [mm]	M	18	25	18			
Connecting thread inside	S	M78 x 1,5	M95 x 1,5	M78 x 1,5			
Position in clamped position [mm]	AU	49,5	42,5	49,5	38,5		33,5
Bolt hole circle	V	LK Ø 104,8 [6 x M10]	LK Ø 133,4 [6 x M12]	LK Ø 171,4 [6 x M16]	LK Ø 104,8 [6 x M10]		LK Ø 133,4 [6 x M12]
Material		10001745	10001746	10001747	10001755	10001756	10001757

Size		80				
Variant		Combi pull-back				
Spindle nose	DU	KK5	KK6	KK8	AP170	AP220
Total length [mm]	I	134	135	140	135	148
Depth of thread [mm]	M	18				
Connecting thread inside	S	M102 x 1,5				
Position in clamped position [mm]	AU	40,5	41,5	46,5	41,5	54,5
Bolt hole circle	V	LK Ø 104,8 [6 x M10]	LK Ø 133,4 [6 x M12]	LK Ø 171,4 [6 x M16]	LK Ø 133,4 [6 x M12]	LK Ø 171,4 [6 x M16]
Material		10001803	10001777	10001778	10001788	10001789

Size		80			
Variant		Combi deadlength			
Spindle nose	DU	KK6	KK8	AP140	
Total length [mm]	I	145			
Depth of thread [mm]	M	20			
Connecting thread inside	S	M92 x 1,5			
Position in clamped position [mm]	AU	44,5			
Bolt hole circle	V	LK Ø 133,4 [6 x M12]	LK Ø 171,4 [6 x M16]		LK Ø 104,8 [6 x M10]
Material		10001819	10001820		10001827

Size		80			
Variant		Modular			
Spindle nose	DU	KK6	KK8	AP220	
Total length [mm]	I	125	130	138	
Depth of thread [mm]	M	25			
Connecting thread inside	S	M112 x 1,5			
Position in clamped position [mm]	AU	48	53	61	
Bolt hole circle	V	LK Ø 133,4 [6 x M12]	LK Ø 171,4 [6 x M16]		
Material		10001748	10001749	10001758	

Size		100				
Variant		Combi pull-back				
Spindle nose	DU	KK6	KK8	KK11	AP170	AP220
Total length [mm]	I	155	159	165	159	
Depth of thread [mm]	M	18				
Connecting thread inside	S	M135 x 1,5				
Position in clamped position [mm]	AU	44,5	48,5	54,5	48,5	
Bolt hole circle	V	LK Ø 133,4 [6 x M12]	LK Ø 171,4 [6 x M16]	LK Ø 235 [6 x M20]	LK Ø 133,4 [6 x M12]	LK Ø 171,4 [6 x M16]
Material		10001779	10001780	10001793	10001790	10001791

# SPINDLE CONNECTION DATA

## SPANNTOP nova chuck

Size	100					
Variant	Combi deadlength					
Spindle nose	DU	KK6	KK8	KK11	AP170	AP220
Total length [mm]	I	175		180		170
Depth of thread [mm]	M	21		22,5		
Connecting thread inside	S	M92 x 1,5		M125 x 1,5		
Position in clamped position [mm]	AU	47,5		57,5		41,5
Bolt hole circle	V	LK Ø 133,4 [6 x M12]	LK Ø 171,4 [6 x M16]	LK Ø 235 [6 x M20]	LK Ø 133,4 [6 x M12]	LK Ø 171,4 [6 x M16]
Material		10001821	10001822	10001837	10001828	10001829

Size	100					
Variant	Modular					
Spindle nose	DU	KK8	KK11	AP170	AP220	
Total length [mm]	I	149	155	149		
Depth of thread [mm]	M	30				
Connecting thread inside	S	M150 x 1,5				
Position in clamped position [mm]	AU	60		60		
Bolt hole circle	V	LK Ø 171,4 [6 x M16]	LK Ø 235 [6 x M20]	LK Ø 133,4 [6 x M12]	LK Ø 171,4 [6 x M16]	
Material		10001750	10001761	10001759	10001760	

Size	125					
Variant	Combi pull-back					
Spindle nose	DU	KK6	KK8	KK11	AP170	AP220
Total length [mm]	I	191		185		190
Depth of thread [mm]	M	20				
Connecting thread inside	S	M142 x 1,5				
Position in clamped position [mm]	AU	55		49		54
Bolt hole circle	V	LK Ø 133,4 [6 x M12]	LK Ø 171,4 [6 x M16]	LK Ø 235 [6 x M20]	LK Ø 133,4 [6 x M12]	LK Ø 171,4 [6 x M16]
Material		10001804	10001805	10001806	10001807	10001808

Size	125					
Variant	Combi deadlength					
Spindle nose	DU	KK6	KK8	KK11	AP170	AP220
Total length [mm]	I	190	200		185	190
Depth of thread [mm]	M	20				
Connecting thread inside	S	M136 x 1,5				
Position in clamped position [mm]	AU	52		47		52
Bolt hole circle	V	LK Ø 133,4 [6 x M12]	LK Ø 171,4 [6 x M16]	LK Ø 235 [6 x M20]	LK Ø 133,4 [6 x M12]	LK Ø 171,4 [6 x M16]
Material		10001832	10001833	10001834	10001835	10001836

Size	125					
Variant	Modular					
Spindle nose	DU	KK6	KK8	KK11	AP170	AP220
Total length [mm]	I	178				177
Depth of thread [mm]	M	25				
Connecting thread inside	S	M142 x 1,5				
Position in clamped position [mm]	AU	59		53		58
Bolt hole circle	V	LK Ø 133,4 [6 x M12]	LK Ø 171,4 [6 x M16]	LK Ø 235 [6 x M20]	LK Ø 133,4 [6 x M12]	LK Ø 171,4 [6 x M16]
Material		10001763	10001764	10001765	10001766	10001767

Size	160					
Variant	Combi pull-back					
Spindle nose	DU	KK6	KK8	KK11	AP170	AP220
Total length [mm]	I	190	195	200	189	194
Depth of thread [mm]	M	22				
Connecting thread inside	S	M174 x 1,5				
Position in clamped position [mm]	AU	54	59	64	53	58
Bolt hole circle	V	LK Ø 133,4 [6 x M12]	LK Ø 171,4 [6 x M16]	LK Ø 235 [6 x M20]	LK Ø 133,4 [6 x M12]	LK Ø 171,4 [6 x M16]
Material		10014974	10014977	10014978	10014979	10014980